

# PB 800 (W)

Pure power on tracks



On Top of the Mountain since 1969.

*PistenBully*<sup>®</sup>

# The mountains call out. The answer is here:

## The ultimate snow groomer

### PUSHING BOUNDARIES:

The PistenBully 800 combines decades of experience and state-of-the-art technology – the result of consistent innovation dedicated to one goal: the ideal slope.

Its impressive pushing power is a quantum leap: about a third more than any other snow groomer currently available on the market at a surprisingly low speed. This means tremendous power, precise control and maximum efficiency in slope grooming.

After all, moving more snow while consuming only slightly more fuel means working more efficiently while simultaneously reducing CO2 emissions. The PistenBully 800 thus demonstrates that high performance, efficiency and environmental awareness are not mutually exclusive. The PB 800. Not just a powerhouse, but also a genuinely green-friendly snow groomer.

**PistenBully®**

PB 100 PB 400 (W) PB 600 Polar (W) **PB 800 (W)**

# PB 800 (W)



More information  
Discover the new  
PistenBully 800 (W)  
from Kässbohrer



### EVEN LARGER DRIVE'RS CAB

Extraordinary design, pleasant feeling of spaciousness and optimized functions.

### READY FOR SNOWSAT AND LIDAR

Forward-looking real-time measurement of the snow depth under, in front of and to the sides of the vehicle.

### CLEVER ASSISTANCE SYSTEMS

Automatic support for ideal grooming results, stable side hold and maneuverability.

### SMARTCUT TILLER

Simply better slopes, parks and cross country skiing trails – with SmartCut. Optional with the KFX – the time-saving FastExchange system from Kässbohrer.

### LONGER CHASSIS

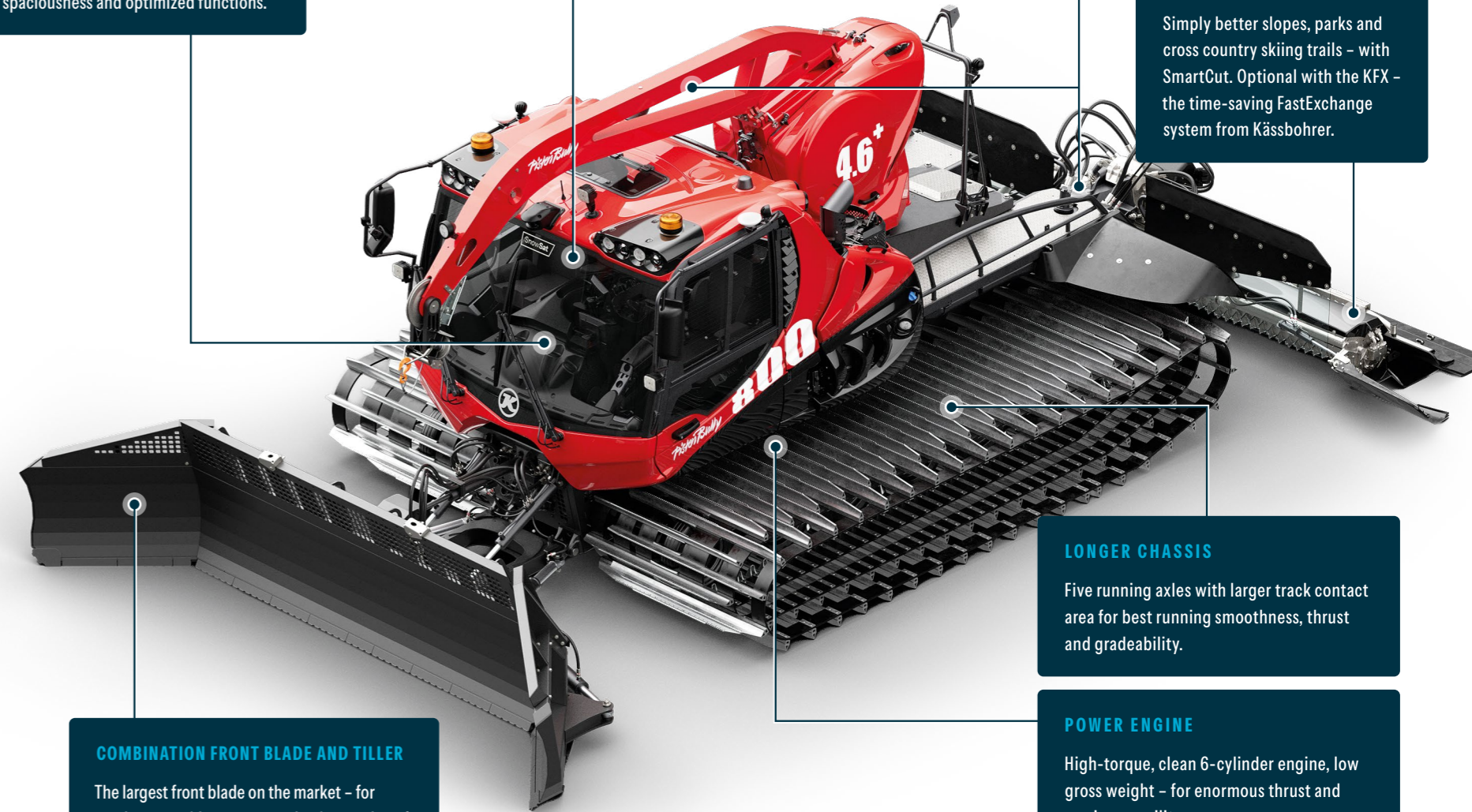
Five running axles with larger track contact area for best running smoothness, thrust and gradeability.

### POWER ENGINE

High-torque, clean 6-cylinder engine, low gross weight – for enormous thrust and maximum agility.

### COMBINATION FRONT BLADE AND TILLER

The largest front blade on the market – for maximum pushing power, optimal grooming of slope edges and the best tilling width coverage.



# Nothing moves more snow...

**+40%**  
HIGHER PUSHING POWER

**-9%**  
LESS FUEL PER CUBIC METER OF SNOW MOVED



**HVO-READY**  
Even now, all new PistenBully vehicles can be operated with renewable HVO fuel with up to a 90% reduction in CO<sub>2</sub> emissions.

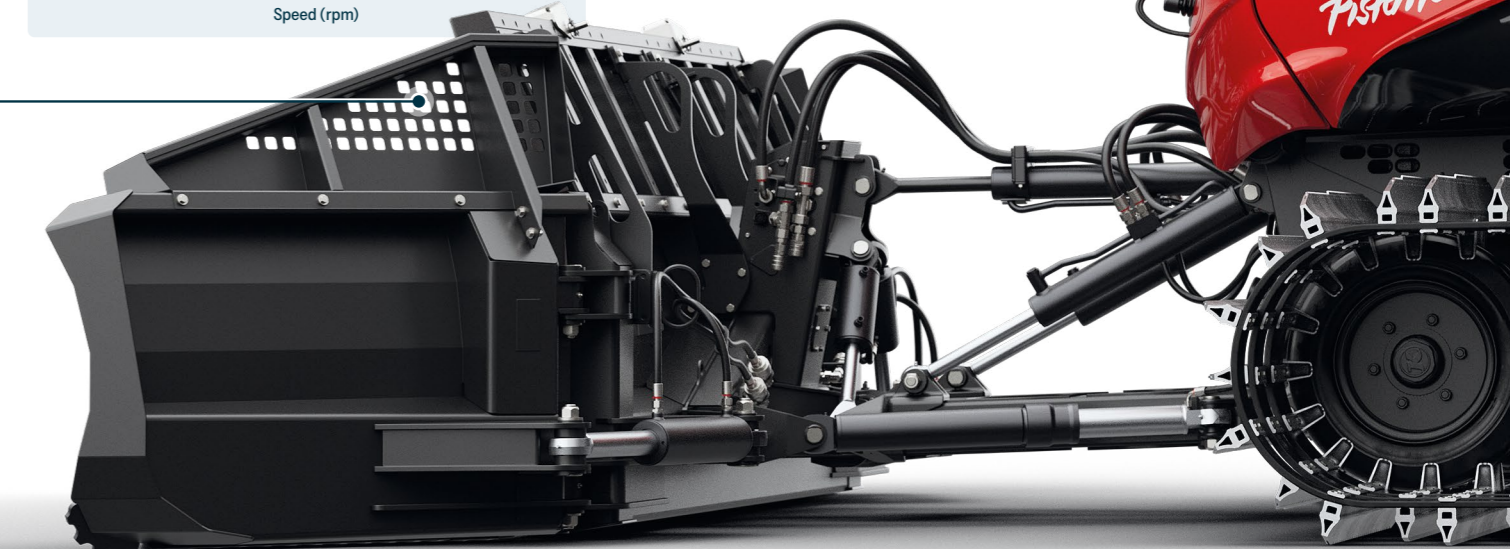
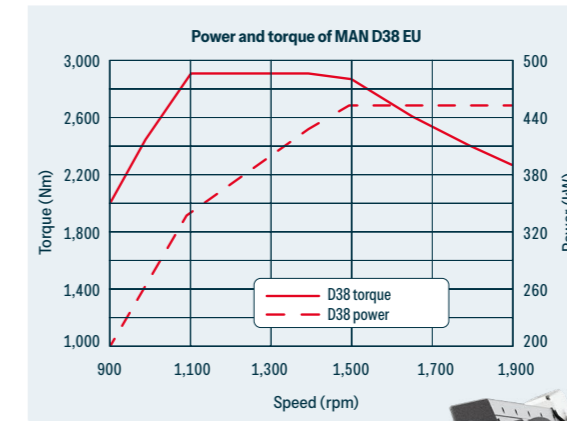
# ...and is more efficient.

**WE PROMISE YOU'LL BE WOWED!**

What counts in the end is the ideal slope appearance. The PistenBully 800, with its combination of the strongest engine, 5 running axles, longer chassis and larger front blade, pushes substantially more snow in less time – even on critical slopes. While grooming, you can fully rely on what you know from PistenBully: easy operation, intelligent assistance systems, comfortable workspace, surprising maneuverability – well-engineered technology. It is the optimal tool for high-end slope grooming.

**ENGINE**

Type	MAN D38
Number of cylinders	6
Displacement	15,300 cm <sup>3</sup>
ECE power rating	450 kW/612 metric HP
Exhaust gas standard	EU Stage V
Max. torque	2,900 Nm @ 1,100 rpm
Tank capacity	400 l
DEF (AdBlue®) tank capacity	44 l
Fuel consumption	From 26.5 l/h



**THE LARGEST FRONT BLADE ON ANY SNOW GROOMER**

How to work efficiently: at a width of 5.95 meters and a height of 1.25 meters, the All Way Blade on the PB 800 is the largest front blade on the market. It was designed for maximum pushing power and area coverage, optimal edge finishing and maximum tilling width coverage.

# A winning combination – SmartCut and KFX

## SMARTCUT. SLOPE TUNING BY PISTENBULLY

The unique new SmartCut tillers, thanks to their new tiller tooth geometry and a new finisher comb, ensure that ice and snow are broken up even more finely and compacted more effectively. This means smoother running improved directional stability and better snow transport. The result: an even finer, more uniform corduroy structure – and improved stability and durability of the slope, ergo, slope tuning.

## LUBRICATION POINTS

Easier maintenance, more accessible lubrication points on the frame make maintenance easier and save time.



## SMARTCUT TILLER TEETH

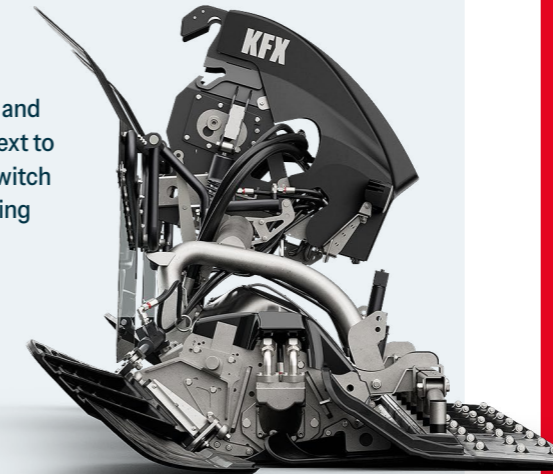
Ideal slope appearance, stable slopes. New tiller teeth and forged tiller teeth – for finer tilled snow and smoother running.



## WHY NOT COMBINE ALL OF THE ADVANTAGES?

On request, you can also purchase the AlpineFlexTiller SmartCut with KFX – the Kässbohrer FastExchange system. This allows you to change the tiller in just 20 seconds – at the touch of a button, without getting out of the cab.

This is practical for time- and cost-saving work on or next to the slope if you have to switch between moving, grooming and transporting.



## FINISHER

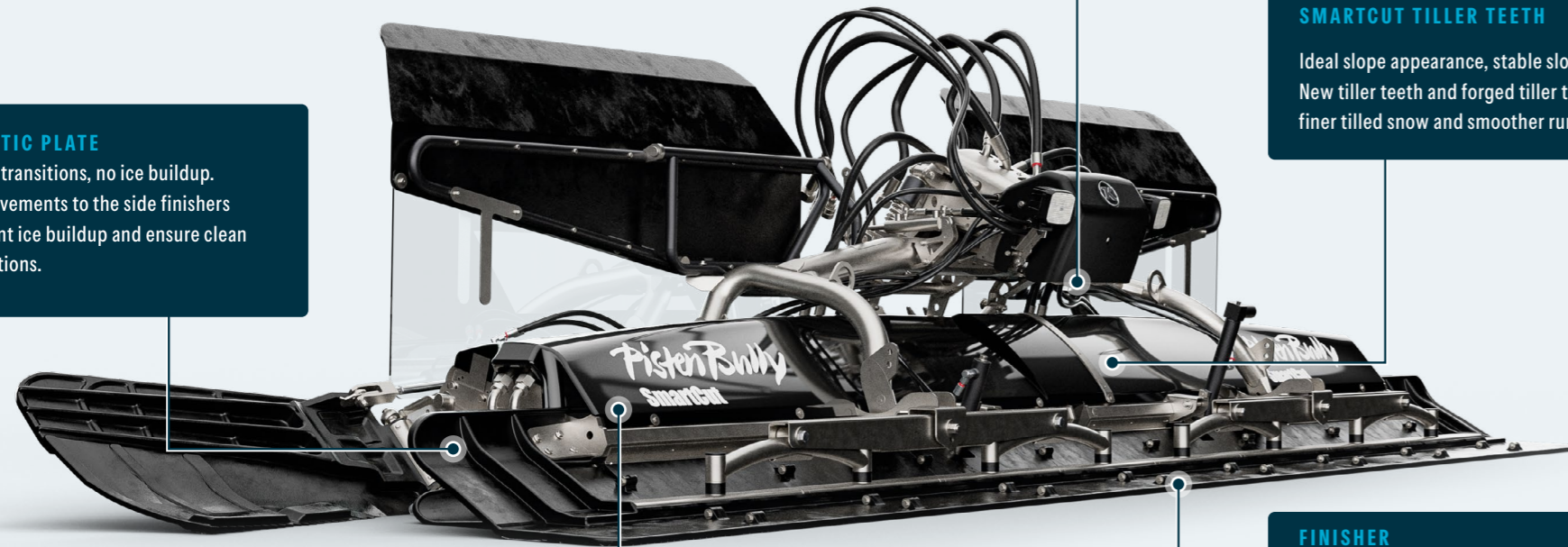
A more beautiful corduroy profile – even around bends. Innovative finishers with three-stage comb for better compaction and high profile consistency, even when making tight turns.

## PLASTIC PLATE

Clean transitions, no ice buildup. Improvements to the side finishers prevent ice buildup and ensure clean transitions.

## BLACK DESIGN

Striking, modern look. Contemporary all-in-black design: even bolder than before.



## Welcome to the cockpit

### COMFORTABLE WORKSPACE

- Uniform operating concept with intuitive 4-axis joystick
- Feel relaxed while working thanks to a comfortable driver's seat
- Everything is within reach due to larger storage compartments and beverage holders
- Best view thanks to seamless LED lighting
- Optionally with sensitive and direct drive control stick

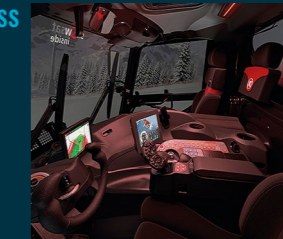
### COMFORT REIMAGINED WITH THE OPERATOR IN FOCUS

Functionality and design meld together perfectly in the spacious cab. Because one thing is for sure: it's a feast for the eyes. The cockpit impresses with its modern design and creates an atmosphere that is both visually appealing and functional.

Extraordinary design meets a spacious, inviting atmosphere and plenty of sophisticated features. It is designed to meet the needs of the operator, and makes work more enjoyable and comfortable. It turns vehicle operation into an experience every time in which comfort, efficiency and design come together in perfect harmony.

### IMPROVED FEELING OF SPACIOUSNESS

- Spacious cab, more headroom
- New interior design
- Optimized air intake system
- Dimmable ambient interior lighting
- Optional air conditioning



**PistenBully**®

# Assistance systems

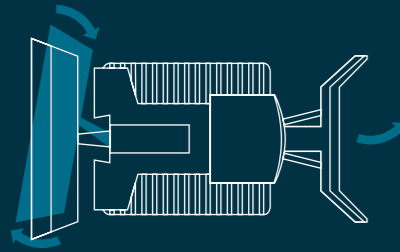


## For precision on the slope

### BETTER RESULTS AUTOMATICALLY

The unique, innovative Kässbohrer assistance systems support you in your daily work as an operator. Of course, it is no replacement for your experience and trained eye. However, it simplifies many tasks and helps you complete your duties even more efficiently and precisely.

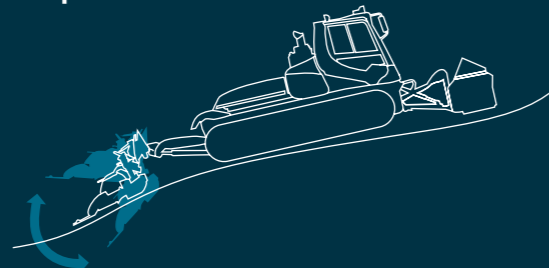
### AutoTracer



#### MAXIMUM TRACK STABILITY

Automatic steering support when turning, automatic level control on side slopes. The rear implement carrier with active steering support takes the strain off you and ensures maximum track stability and maneuverability in all conditions.

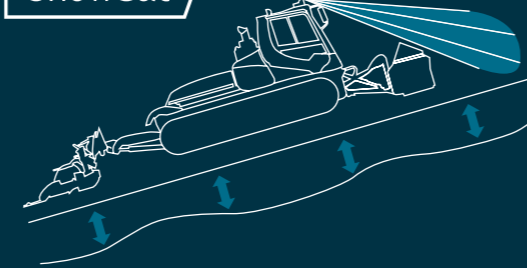
### SlopeTracer



#### IDEAL GROUND ADAPTATION

The SlopeTracer ensures that the snow groomer adapts perfectly to the slope profile. Depending on the configuration, you can either maintain, enhance or even out the existing profile.

### SnowSat



#### KNOW WHERE THE SNOW IS

Our precision snow depth measurement helps you identify slope areas with small amounts of snow and snow reserves. With SnowSat LiDAR, you can even measure snow depths beneath, in front of and beside the vehicle, ensuring efficient operation and the highest quality in slope building.

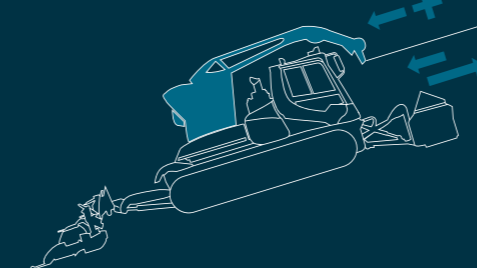
### ActiveWinch



#### SAFE MANEUVERABILITY

Automatic steering support for the winch simplifies work for the operator – especially under difficult slope conditions.

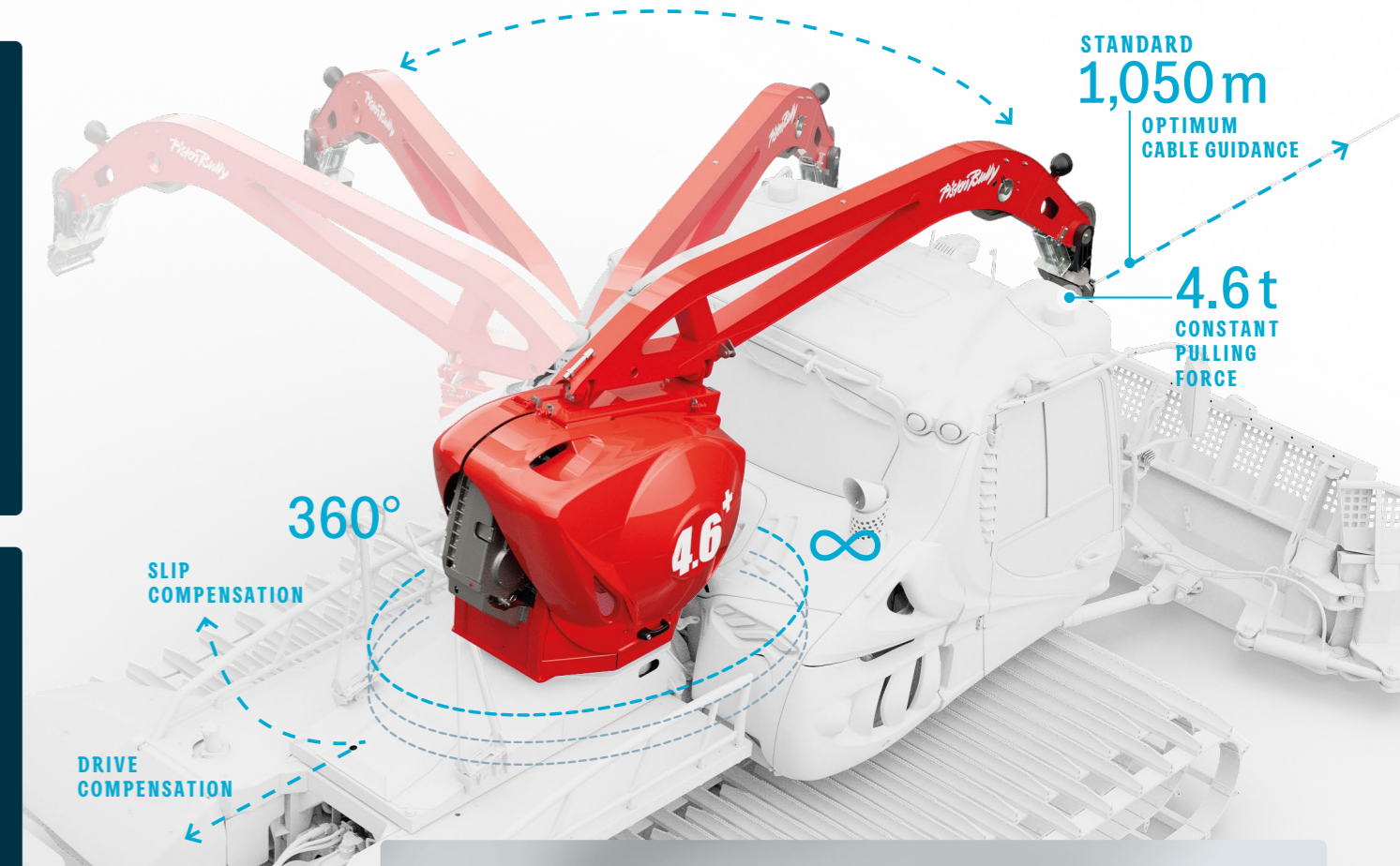
### AutoWinch



#### OPTIMAL PULLING FORCE

The intelligent winch matches the driving speed to the winch rope speed. If they differ, for example, because of slip, the pulling force is adjusted automatically, so it is gentle on the winch rope.

# Power, precision, support.



STANDARD  
1,050 m  
OPTIMUM  
CABLE  
GUIDANCE

4.6 t  
CONSTANT  
PULLING  
FORCE

360°

SLIP  
COMPENSATION

DRIVE  
COMPENSATION

### SUPERIOR WINCH TECHNOLOGY FOR MAXIMUM SAFETY AND CONTROL

The powerful winch on the PistenBully simplifies your work and simultaneously ensures maximum safety and precision. It delivers a constant pulling force of up to 4.6 t. AutoWinch automatically adapts the set pulling force to your driving speed, compensates for the slip and protects the rope. Active Winch assists with steering, keeps the vehicle on course even on steep slopes and ensures maximum tracking stability and traction. Optional functions such as automatic cable extension control and protection mechanisms complement the winch control system. Ropes up to 1,400 meters in length are available as an option.

# The full range

PB800 (W)

## BECAUSE WHAT MATTERS MOST IS ALREADY PART OF THE STANDARD PACKAGE:

Whether it's solid rubber wheels, an LED lighting package, AutoWinch or ActiveWinch 4.6+ – the PistenBully 800 W is already equipped as standard for top performance on any terrain. For specific requirements, sophisticated options are available that specifically enhance performance, comfort and efficiency.

### Product highlights

- ⊕ Clean 6-cylinder engine with 612 metric HP (450 kW) and 2900 Nm torque (EU Stage V)
- ⊕ 5 running axles with longer chassis for best smoothness, outstanding thrust and gradeability
- ⊕ Intuitive joystick for proportional control of 4 blade functions at the same time
- ⊕ iTerminal with touch display and color-coded function feedback of the active vehicle parts for easy operation
- ⊕ Storage of 4 driving settings
- ⊕ Precise, proportional auxiliary hydraulics
- ⊕ Assistance systems such as SlopeTracer, AutoTracer, ActiveWinch and AutoWinch for ideal grooming results, side hold and maneuverability
- ⊕ And much more

### Optional

- 1,400 m rope for the winch vehicle
- AllWayBlade 4.6 m
- Trailer hitch
- Automatic luxury climate control system
- Front high-pressure connection (technology package)
- Hydraulic oil preheating
- Infotainment with Apple CarPlay and Android Auto
- KässbohrerFastXchange (KFX)
- Professional sound package (subwoofers and amplifiers)
- Auxiliary heating
- SnowSat fleet management and snow depth measurement with LiDAR
- Drive control stick
- And much more



### Data sheet download

#### Impressive technical data

Want to know the details? Here you will find all the information on dimensions, weights, drive, cab, electrics, auxiliary equipment, equipment options and more.

# Sustainable slope management

## SUSTAINABLE, OPEN TO TECHNOLOGY, INNOVATIVE

Today, Kässbohrer is the leading complete provider for sustainable slope management: From alternative drive concepts for our PistenBully to digital solutions with Snowsat and all the way to efficiency-boosting training courses in our ProAcademy, we offer you a one-of-a-kind package of intelligently networked products, services and processes.



# PistenBully®

Our PistenBully machines have been in operation worldwide successfully for decades and they powerfully and efficiently ensure ideal parks and slopes. PistenBully is also the pioneer of the first diesel-electric snow groomer and the first all-electric PistenBully. In addition, all of our diesel-powered vehicles can be fueled with HVO fuel, which reduces CO<sub>2</sub> emissions by up to 90%.

### SnowSat

#### RESOURCE-CONSERVING SNOW MANAGEMENT

For many years, our SnowSat systems have provided ski areas around the globe with precise fleet and snow depth data to ensure time-saving and cost-effective park and slope building, maintenance and efficient fleet and ski resort management.

### ProAcademy

#### WORKSHOP AND OPERATOR TRAINING

State-of-the-art systems offer significant efficiency gains – assuming everyone knows how to use them. From operator training to technology training and SnowSat courses, our ProAcademy offers everything you need to make you faster, better and more efficient.

### K-Service

#### 365/24 SERVICE AND SPARE PARTS

Only those who actually work can be efficient and sustainable in their work. Avoiding accidents and providing fast and professional assistance when issues arise is the goal of our global, high-performance service network that provides assistance not only in the Antarctic, but also wherever you are. Fast, professional, hassle-free.

# PistenBully®

SnowSat

ProAcademy

K·Parts

K·Service

K·Finance

[www.pistenbully.com](http://www.pistenbully.com)

PistenBully®, ProAcademy® and SnowSat® are registered trademarks of Kässbohrer Geländefahrzeug AG. Product specifications are subject to change. Illustrations may contain accessories and optional equipment that are not included in the standard scope of delivery. The specifications agreed in the individual order are authoritative. Color representations may vary depending on printing/screen technology. Legal, statutory and tax information does not constitute legal or tax advice and refers exclusively to the Federal Republic of Germany. This may vary in other countries. Please contact your representative for the latest binding information.



#### Contact

Fast. Direct. Personal.

Find your contact person here.

 KÄSSBOHRER GELÄNDEFahrZEUG AG